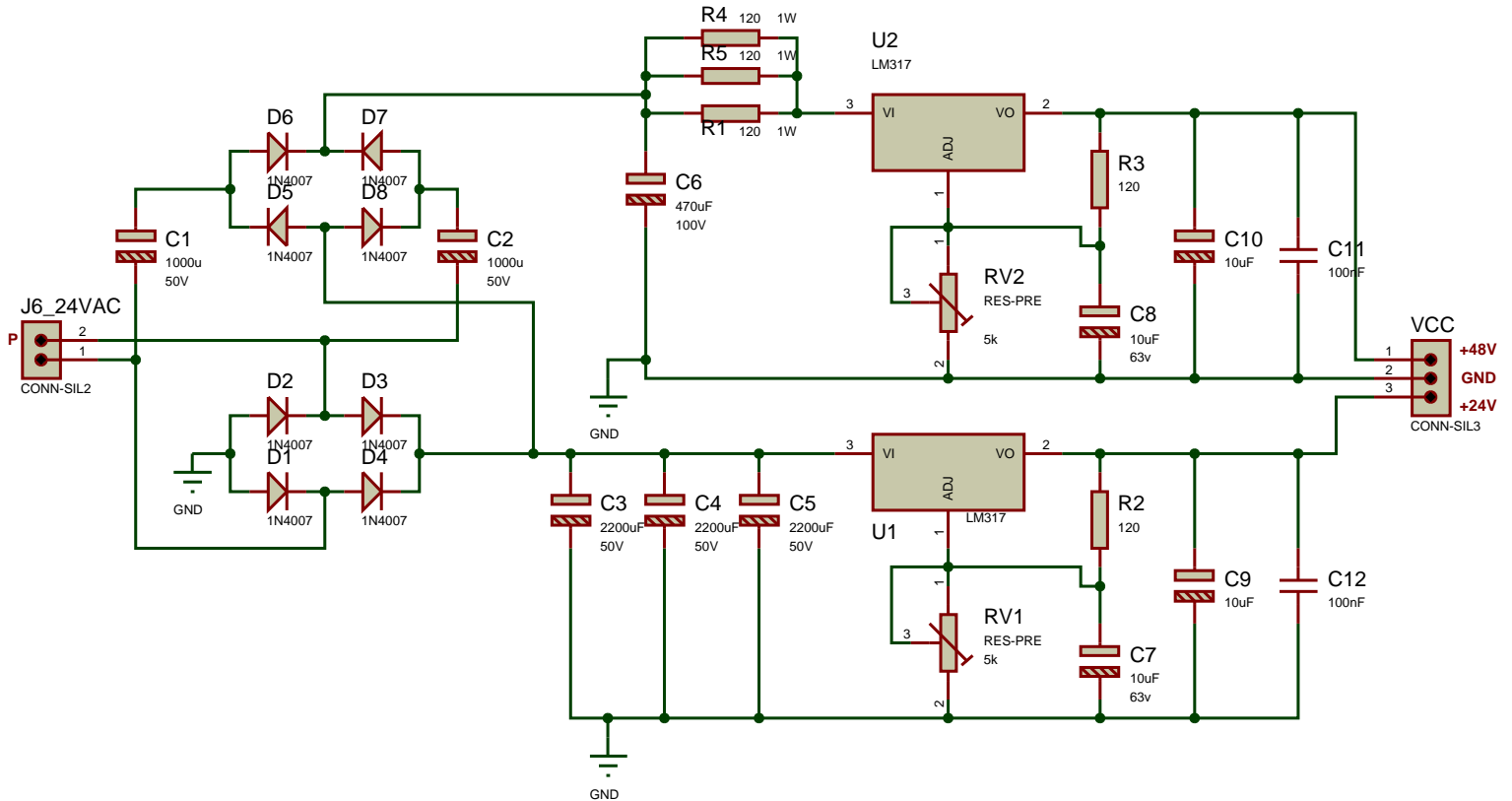


24-48 Power Supply



All resistors 1/4w 1-5% Except R1-R4-R5 =1W
Important ! Add Heatsink to LM317 regulator (min 27c/W)
Better is to use the enclosure chassis with silicon thermal pads